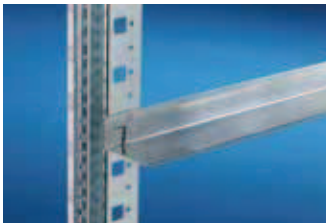


482.6 mm (19") installation

Slide rails



Slide rails, heavy-duty

for TS network enclosures with two 482.6 mm (19") levels

To support heavy installed equipment. The slide rails are simply located into the cranked mounting angles and secured with screws. The combined use with additional depth stays or, in case of 80 mm wide enclosures, with the additional fastening attachment counteracts possible bending of the mounting angles in case of unevenly distributed loads.

Load capacity:
80 kg, static load

Material:
Sheet steel, zinc-plated, passivated

Supply includes:
Assembly parts.

Note:
Not suitable for use in 482.6 mm (19") mounting frames.

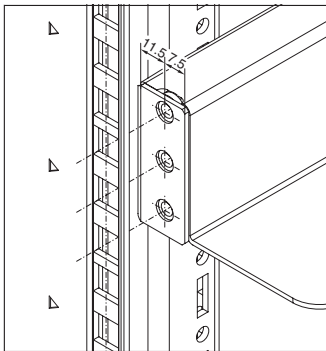
Distance between 19" levels mm	Contact surface		Packs of	Model No. DK
	Width mm	Depth mm		
298	55	261	2	7492.300
398	55	361	2	7492.400
498	55	461	2	7492.500
598	55	561	2	7492.060
698	55	661	2	7492.070

! Also required:

For fastening to L-shaped TS mounting angles:
Adaptor DK 7827.300,
see page 1023.

⇔ Possible alternative:

For mounting on the front and rear mounting angles:
Slide rail SR 1962.200,
see page 1085.



Slide rails, depth-variable, 1 U

for server and network enclosures with two 482.6 mm (19") mounting levels and L-shaped mounting angles

The slide rail is pulled out to the required length and secured between the front and rear mounting level. Rear location lugs and front screw-fastening enable convenient one-man assembly. The mounting component to be integrated is inserted horizontally onto the slide rail and optionally secured to the mounting level via its attachment slots.

Load capacity:
80 kg/150 kg, static load

Material:
Sheet steel, zinc-plated, passivated

Supply includes:
Assembly parts.

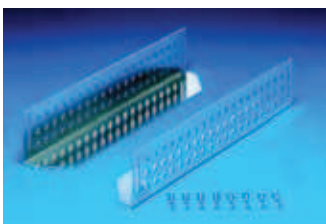
Length mm	Load capacity kg	Contact surface mm	Packs of	Model No. DK
390 – 600	80	50	2	7063.882
590 – 930	80	50	2	7063.883
590 – 930	150	25	2	7063.884

Note:

The super-slimline design of the slide rail allows it to be used in most integration cases for 482.6 mm (19") mounting components. Because it is secured to the standardised mounting level, it is manufacturer-independent.

The slide rail slightly reduces the installation space below the slide rail so that the U below it is only available for limited use.

Slide rails



Slide rails

for FR(i), TE and 482.6 mm (19") mounting frames

For mounting between a front and a rear pair of mounting angles. The slide rails can be used to support heavy 482.6 mm (19") components.

Load capacity:
80 kg, static load

Material:
Sheet steel, zinc-plated, passivated

Supply includes:
Assembly parts.

Distance between 19" levels mm	Contact surface		Packs of	Model No. DK
	Width mm	Depth mm		
395	85	324	2	7963.310
495	85	424	2	7963.410
595	85	524	2	7963.510
695	85	624	2	7963.610
795	85	724	2	7963.710

⇔ Possible alternative:

Slide rail, depth-variable,
see page 1098.

B
7.9