



## Signal pillars, LED compact

### Benefits:

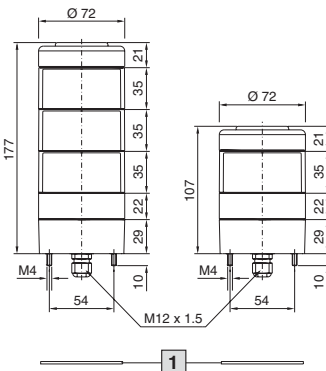
- Complete, ready-to-connect solution
- Minimal build height
- Extremely long service life of the LEDs (at least 70,000 h) – therefore maintenance-free
- Minimal assembly work and warehousing costs

### Technical specifications:

Operating voltage: 24 V AC/DC  
 Electrical connection: Screw terminals  
 Light: LED  
 Transmission angle: 3 x 120°  
 Operating temperature: -20 to +70°C  
 Flash function: Controllable via PLC  
 Cable entry: Metric gland  
 M12 x 1.5 for cable diameter 3.0 – 6.5 mm

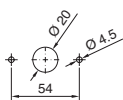
### Protection category:

IP 65 to EN 60 529/09.2000



1 Seal

Mounting cut-out

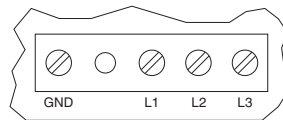


### Ordering example/ LED compact, configurable

(from top to bottom):  
 Signal pillar, 2-stage, acoustic component, red continuous light, green flashing light, screw fastening

Position	1	2	3	4	5	6
Code no.	1	1D	2B	0	0	1

Connection picture SG 2372.100/.130/.140



- GND – 0 V (Ground)  
 A – +24 V DC (acoustic, where included with the supply)  
 L1 – L4 – +24 V DC (LED light stages, from bottom to top, unneeded contacts are left free)

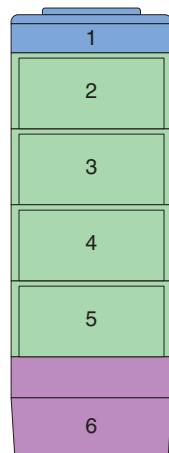
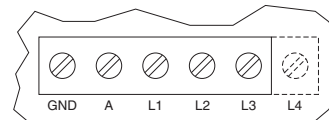
Design	Packs of	H mm	Model No. SG	
			non-configurable	configurable
3-stage, red, yellow, green	1	177	<b>2372.100</b>	–
1-stage, red	1	107	<b>2372.130</b>	–
1-stage, yellow	1	107	<b>2372.140</b>	–
As per specifications	1	–	–	<b>2372.109<sup>1)</sup></b>

<sup>1)</sup>Please additionally give the design code.  
 Minimum order volume 10 units.  
 Delivery times available on request.

### ! Also required:

For wall mounting:  
 Bracket for wall mounting, see page 1128.  
 For conduit mounting/support arm systems:  
 Connection adaptor, see page 1125.  
 Other mounting components, see page 1129.

Connection picture SG 2372.109



Description	Design	Code number <sup>1)</sup>
Acoustic element in cover, controllable up to 90 dB, may be switched between intermittent and continuous tone	Without acoustic element	0
	With acoustic element	1
LED light stages (max. 4 units)	None	0
	Red steady light	1D
	Red flashing light	1B
	Green steady light	2D
	Green flashing light	2B
	Yellow steady light	3D
	Yellow flashing light	3B
	Clear steady light	4D
	Clear flashing light	4B
	Blue steady light	5D
Blue flashing light	5B	
Connection component	Screw fastening (cable infeed at bottom)	1
	Magnetic attachment (cable infeed at side)	2

## Connection adaptor

### for signal pillar, LED compact

For conduit mounting and mounting on support arm systems.

**Material:**  
Plastic

**Colour:**  
Black



Packs of	Model No. SG
1	<b>2372.120</b>

### + Accessories:

Mounting components for conduit mounting, see page 1129.  
 Mounting components for support arm system, see page 1129.

