

Roof/wall mounting

Roof

Rain canopies

for AE, CM

Reliable protection for outdoor siting – with water run-off to the rear. Easily retro-fitted.

Supply includes:

- Assembly parts



Accessories:

- Condensate discharge, see page 533
- Pressure relief stopper, see page 533
- Wall mounting brackets 2503.010 and 2508.010, see page 587

Note:

- For outdoor siting, we generally recommend a rain canopy above the enclosure or the gap between the door and the enclosure, in order to protect against water and UV radiation
- Testing of IP protection categories for water protection (2nd code number to IEC 60 529) cannot be compared with an enclosure sited outdoors or under similar conditions
- Depending on the ambient conditions, additional measures may be required (see “Technical Information”)



For AE, sheet steel version

Material:

- Sheet steel

Surface finish:

- Powder-coated, textured paint

Colour:

- RAL 7035

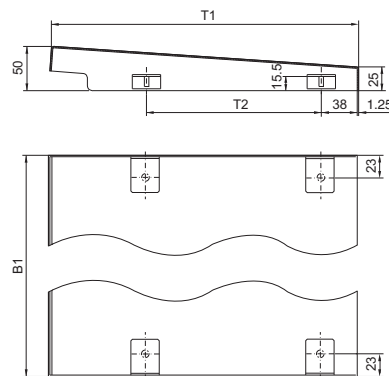
For AE, stainless steel version

Material:

- Stainless steel 1.4301 (AISI 304)

Surface finish:

- Brushed, grain 240



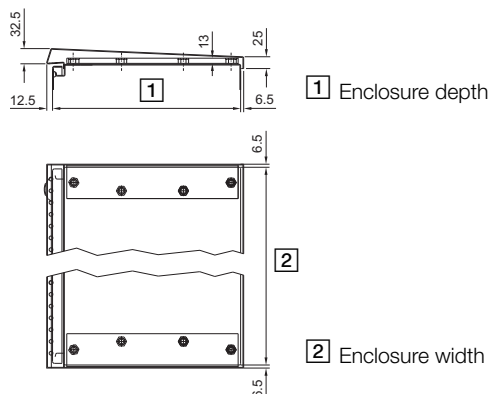
B1 = Enclosure width + 11 mm
 T1 = Enclosure depth + 25 mm
 T2 = Enclosure depth – 90 mm, from enclosure width 600 mm: Enclosure depth – 115 mm

For		Model No.
Enclosure width mm	Enclosure depth mm	
380	210	2501.500
600	210	2502.500
600	350	2511.500

For		Model No.
Enclosure width mm	Enclosure depth mm	
200	155	2470.000
300	210	2361.000
380	155	2471.000
380	210	2472.000
500	210	2362.000
600	210	2473.000
760	300	2474.000
800	300	2475.000
1000	300	2363.000



For CM, sheet steel version



Width mm	Depth mm	Model No.
600	400	5001.310
800	400	5001.330
1000	400	5001.350
1200	400	5001.360

Material:

- Sheet steel

Surface finish:

- Powder-coated, textured paint

Colour:

- RAL 7035