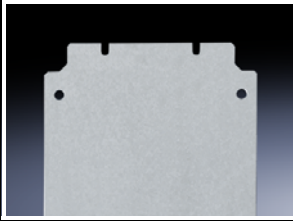


Interior installation

Mounting plates



Mounting plates

for KL and KL-HD

For component installation outside of the enclosure. Assembly screws included as accessories with the enclosure.

Material:

- Sheet steel, 2 mm

Surface finish:

- Zinc-plated



Accessories:

- Self-tapping screws 2487.000, see page 737



Possible alternative:

- Support rails, see page 725

| For size mm | For Model No. KL and KL-HD | Model No. |
|-------------|--|-----------------|
| 150 x 150 | 1500.510, 1514.510, 1521.010, 1527.010, 1670.600, 1671.600 | 1560.700 |
| 200 x 150 | 1528.510, 1529.510 | 1575.700 |
| 300 x 150 | 1501.510, 1515.510, 1522.010, 1530.510 | 1561.700 |
| 400 x 150 | 1589.510 | 1576.700 |
| 200 x 200 | 1502.510, 1516.510, 1523.010, 1528.010, 1672.600 | 1562.700 |
| 300 x 200 | 1503.510, 1517.510, 1524.010, 1529.010, 1531.510, 1674.600 | 1563.700 |
| 400 x 200 | 1504.510, 1518.510, 1525.010, 1532.510, 1675.600 | 1564.700 |
| 500 x 200 | 1505.510, 1533.510 | 1565.700 |
| 600 x 200 | 1506.510, 1519.510, 1534.510 | 1566.700 |
| 800 x 200 | 1527.510, 1542.510 | 1574.700 |
| 300 x 300 | 1507.510, 1526.010, 1535.510 | 1567.700 |
| 400 x 300 | 1508.510, 1530.010, 1536.510, 1676.600 | 1568.700 |
| 500 x 300 | 1509.510, 1537.510 | 1569.700 |
| 600 x 300 | 1510.510, 1538.510 | 1570.700 |
| 400 x 400 | 1511.510, 1539.510 | 1571.700 |
| 600 x 400 | 1512.510, 1540.510 | 1572.700 |
| 800 x 400 | 1513.510, 1541.510 | 1573.700 |



Mounting plate

for TS, 400 mm wide

Depth-adjustable on a 25 mm pitch pattern.

Material:

- Sheet steel, 3 mm

Surface finish:

- Zinc-plated

Supply includes:

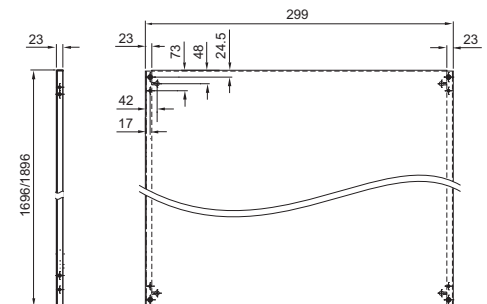
- Assembly parts



Accessories:

- TS 18 x 38 mm punched rail, used as mounting plate slide rail, see page 720
- TS width divider, for installation in wider enclosures, see page 630

| For enclosure height mm | Model No. |
|-------------------------|-----------------|
| 1800 | 8614.180 |
| 2000 | 8614.200 |



Mounting plate infill

for TS

For a continuous mounting surface in bayed suites where the mounting plate is set forward.

Material:

- Sheet steel, 2 mm

Surface finish:

- Zinc-plated

Supply includes:

- Assembly parts

| For enclosure height mm | Model No. |
|-------------------------|-----------------|
| 1800 | 4590.700 |
| 2000 | 4591.700 |
| 2200 | 4592.700 |