

Accessories for CS New Basic enclosures

Concrete base/plinth

for CS New Basic enclosures

The base/plinth is made from pre-cast concrete sections which are easily fitted in situ. Front/rear base/plinth plate screw-fastened from the inside may be removed for servicing purposes.

Overall height: approx. 1000 mm, excavation depth: approx. 700 mm.

Material:

- Light-weight concrete

Surface finish:

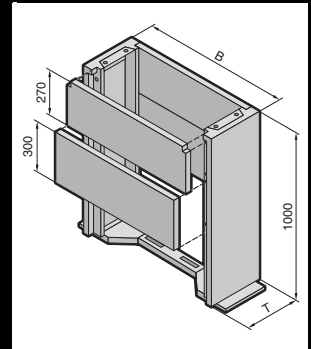
- Untreated

Supply includes:

- 1 base plate
- 2 side parts
- 2 divided base/plinth plates
- Assembly parts and fastening screws for mounting the enclosure

For enclosure		Model No.
Width (B) mm	Depth (T) mm	
600	500	9765.082
800	500	9765.084
1200	500	9765.086

Extended delivery times.



Mounting plates

for CS New Basic enclosures

For the configuration of mounting levels.

The mounting plates are depth-adjustable on a 25 mm pitch pattern.

Material:

- Aluminium, 3 mm

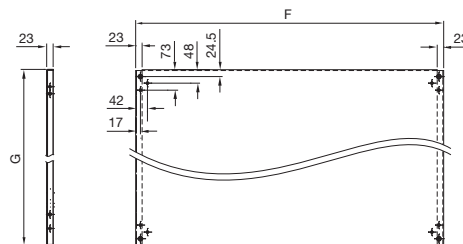
Supply includes:

- Assembly parts

Note:

- For an enclosure width of 1200 mm, partial installation with one or two 600 mm wide mounting plates is possible

For enclosure		F	G	Model No.
Width mm	Height mm			
600	1200	499	1096	9765.092
800	1200	699	1096	9765.095
1200	1200	1099	1096	9765.191



Mounting angles 482.6 mm (19')

for CS New Basic enclosures

For mounting 482.6 mm (19') components in outdoor enclosures. The mounting angles are depth-adjustable on a 25 mm pitch pattern. A depth stay is required to attach the mounting angles.

Material:

- Sheet steel

Surface finish:

- Zinc-plated

Supply includes:

- Mounting accessories

Enclosure height mm	U	Packs of	Model No.
1200	24	2 pc(s).	7688.000

! Also required:

Depth stays, see page 9



Depth stays

for mounting angles 482.6 mm (19')

Material:

- Sheet steel

Surface finish:

- Zinc-plated

Enclosure width mm	Installation (centre)	Packs of	Model No.
600/1200	482.6 mm (19')	2 pc(s).	7696.000
800	482.6 mm (19')/metric	2 pc(s).	7698.000

